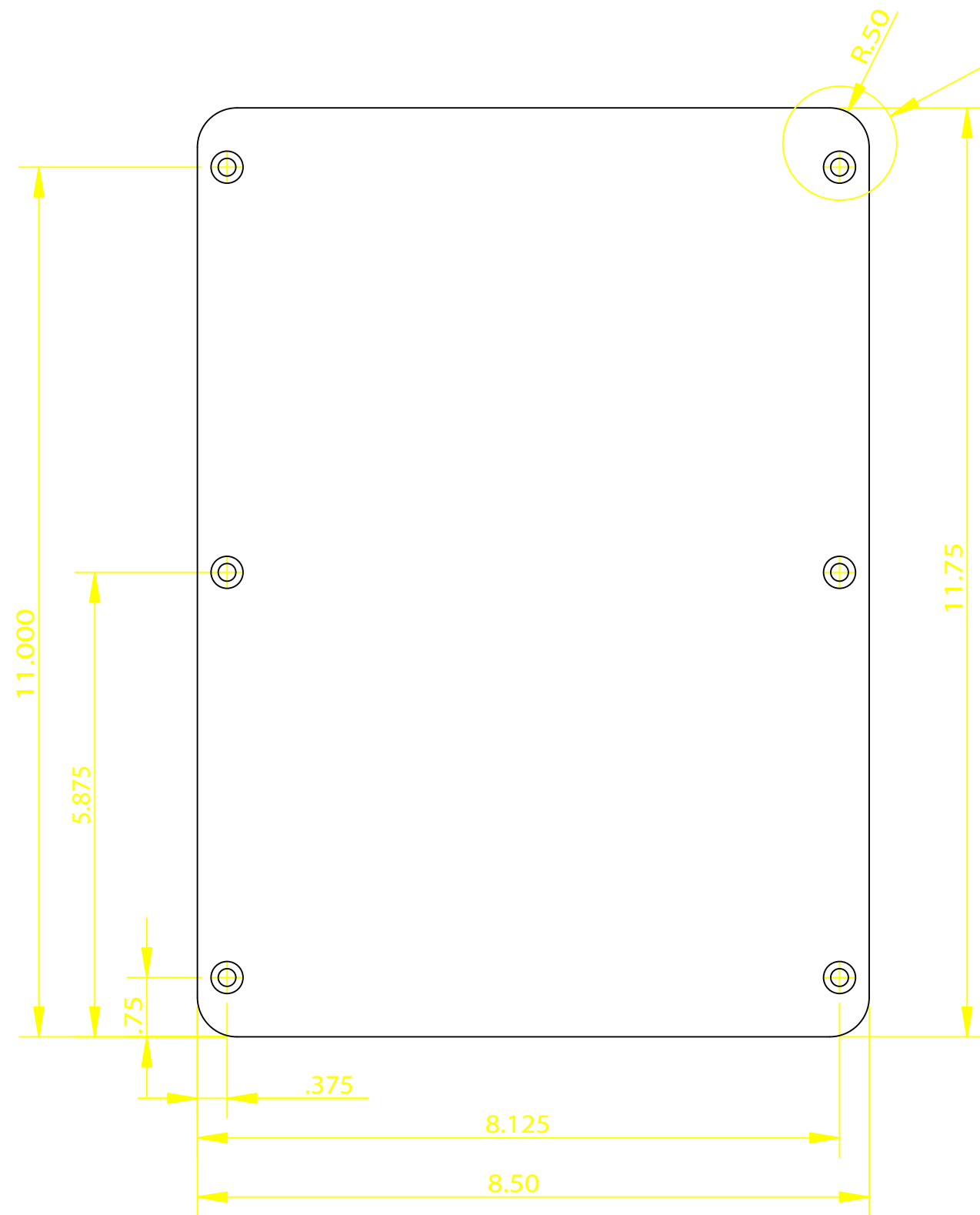
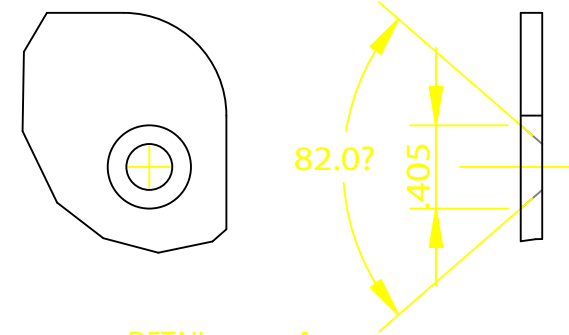


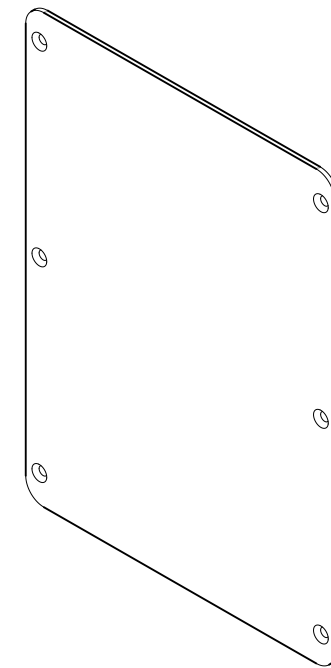
ITEM	HEI x	WID x	LEN	MATL
1	0.1046 x	8.500 x	11.750	12 GA.S.S.



SEE DETAIL A



DETAIL SCALE A 1.0



SCALE 0.250

SCALE 0.500

CODE BLUE PART DESCRIPTION:			C.B. PART NO:
TOLERANCES X.X ±0.125 X.XX ±0.063 X.XXX ±0.031 ANGLES ±1? UNLESS OTHERWISE NOTED	DRAWN AT:	DATE:	UNITS: INCHES
	DRAWN BY:	DATE:	SCALE: SEE NOTES
	CHECKED BY:	DATE:	SHT: 10F 1

THIS DRAWING AND ALL PROPRIETARY RIGHTS AND CONCEPTS HEREIN ARE THE EXCLUSIVE PROPERTY OF CODE BLUE CORPORATION AND ARE NOT TO BE USED, DUPLICATED OR TREATED IN ANY WAY INCONSISTENT WITH SUCH RIGHTS WITHOUT PERMISSION OF CODE BLUE.



DRAWING NO.	REV.
-------------	------

REV	ECN	DATE	DESCRIPTION	BY	APPR