

PEDESTAL – INTERACTIVE VOICE COMMUNICATION UNIT

The **CB 1-s** is the original Code Blue Pedestal unit and sets the industry standard for rugged construction, full feature availability and high visibility. The **CB 1-s** is easily recognized throughout a full 360-degree area. The user friendly lighted faceplate and the integral area light ensures rapid location in an open environment. The high output strobe is easily identifiable by security when activated.

The exclusive analog InterAct™ and VoIP speakerphones are designed for maximum reliability, vandal resistance, auxiliary functions, mass notification control, and fault monitoring and reporting capability; leading the market in system programming flexibility.

The **CB 1-s** is an excellent choice for walkways, parks, college and commercial campus areas, open landscape areas and anywhere a freestanding pedestal unit is required.



STANDARD FEATURES

- ▶ Analog or VoIP speakerphone options
- ▶ ToolVox® Communication Manager compatible with Blue Alert®, EMS and UPD software integration
- ▶ 2 Auxiliary inputs/3 Auxiliary outputs (3 NO or 3 NC)
- ▶ High output combo LED beacon/strobe
- ▶ 24v LED low consumption area light
- ▶ LED lit stainless steel faceplate
- ▶ Passive vent
- ▶ 24v AC power
- ▶ Voice Identifier
- ▶ ADA compliant
- ▶ UV resistant lenses
- ▶ Vandal resistant hardware
- ▶ Phone line surge suppressor
- ▶ Ultra-weather resistant finish
- ▶ Internal foundation anchor kit

OPTIONAL FEATURES

- ▶ Two-button speakerphone w/keypad
- ▶ Two-button speakerphone
- ▶ Powered vent
- ▶ NightCharge®
- ▶ Overhead camera mount
- ▶ Custom colors & graphics
- ▶ Step-down power transformer
- ▶ GSM & IP wireless communication options

UNIT SPECIFICATIONS

Overall Height	108" (274.32 cm)
Outside Diameter	12.75" (32.38 cm)
Housing Material, steel	.25" (.635 cm)
Access Opening (w x h)	8.5" x 12" (21.59 x 30.48 cm)
Overall Weight	375 lbs. (170 kg)
Standard Power Requirements	24v AC @ 50w

UNIT FINISH COLORS

Standard Painted Finish	British Racing Green, Cardinal Red, Dark Bronze, Gloss White, Gloss Black, Medium Bronze, Midnight Blue, Safety Blue, Safety Red, Safety Yellow
Custom Painted Finish	Custom colors from Pantone® color chart or sample are available as a special order

GRAPHICS TEXT (WORDING)

Standard	Assistance, Courtesy, Emergency, Police, Security
Custom	Custom text graphics are available as a special order

GRAPHICS TEXT COLORS

Standard (reflective decal)	Black, Blue, Green, Red, White, Yellow
Custom	Custom colors from Pantone color chart or sample are available as a special order

GSM CELLULAR OPTION

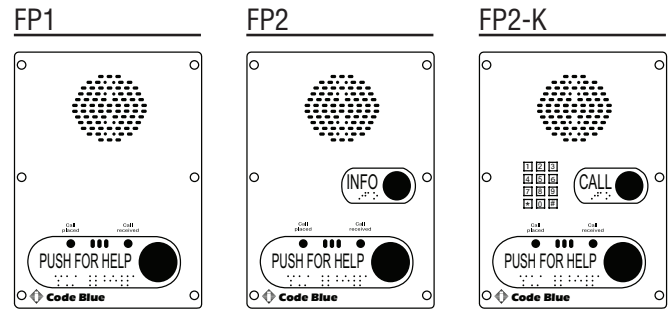
Provides wireless communications to eliminate trenching for phone lines. System requires a reliable GSM cellular service to be provided by customer.

IP WIRELESS OPTION

As more users desire ubiquitous connectivity, Code Blue's IP Wireless offering exploits built-in VLAN (Virtual Local Area Networks) capable of maximizing your investment, including various integration scenarios with existing equipment.

NIGHTCHARGE®

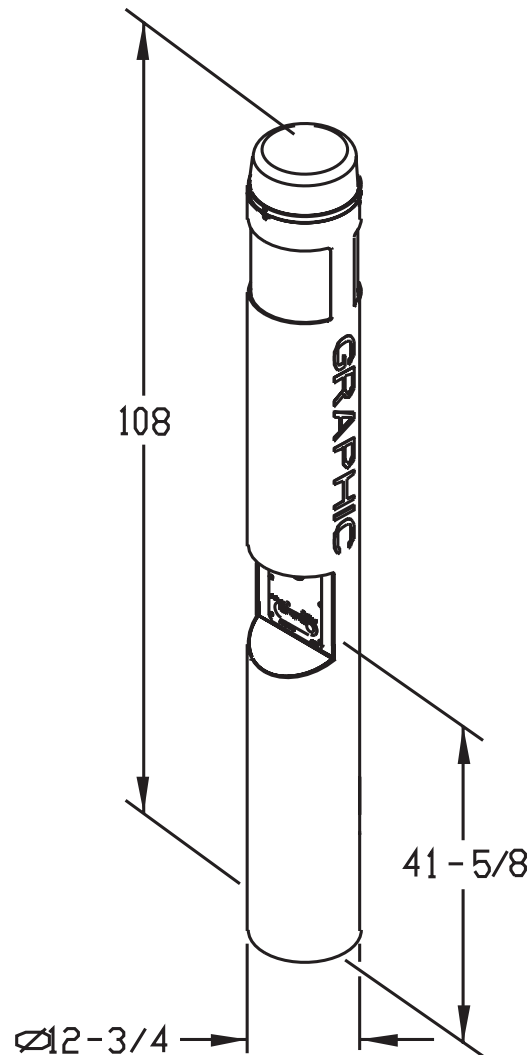
Continuous power is supplied to the Code Blue unit from a non-continuous power source. Typically used with an outdoor lighting network when power is only on during a portion of the day or night.

FACEPLATE OPTIONS


Standard faceplate assembly with single red **PUSH FOR HELP** button

Optional faceplate assembly with additional black **INFO** button

Optional faceplate assembly with additional **CALL** button and keypad



- Mounting hardware and template for unit is shipped in advanced for foundation work.
- Specifications subject to change without notice or obligation on the part of the manufacturer.