

## PEDESTAL – INTERACTIVE VOICE COMMUNICATION UNIT



The **CB 1-w** solar/cellular unit continues the standard for rugged reliability set by Code Blue and provides a fully self-contained emergency communication device where power and phone lines are not available. The added costs of trenching are eliminated!

Power for the **CB 1-w** is generated by the vandal resistant, top mounted solar array and is configured for optimum performance and reliability in almost any geographic location.

The optional WindAssist™ power generator supplements the solar array and provides additional battery charging capacity for areas with intermittent solar availability.

The solar/cellular **CB 1-w** includes either the exclusive analog InterAct™ and VoIP speakerphones for optimal user programmability, vandal resistance, fault monitoring and reporting functionality utilizing the most advanced technology in today's industry. Other standard offerings include a low-power consumption lighted faceplate and the combination LED beacon/strobe.

### STANDARD FEATURES

- ▶ Analog and VoIP speakerphone options
- ▶ ToolVox® Communication Manager compatible with Blue Alert®, EMS and UPD software integration
- ▶ 2 Auxiliary inputs/3 Auxiliary outputs (3 NO or 3 NC)
- ▶ High output combo LED beacon/strobe
- ▶ 24v LED low consumption area light
- ▶ LED lit stainless steel faceplate
- ▶ GSM cellular communication
- ▶ Top-mounted solar array
- ▶ Voice Identifier
- ▶ ADA compliant
- ▶ UV resistant lenses
- ▶ Vandal resistant hardware
- ▶ Ultra-weather resistant finish
- ▶ Internal foundation anchor kit



### OPTIONAL FEATURES

- ▶ Two-button speakerphone w/keypad
- ▶ Two-button speakerphone
- ▶ WindAssist™ power generator
- ▶ IP wireless communication
- ▶ Custom colors & graphics

**UNIT SPECIFICATIONS**

Overall Height (w/ solar panel)	117" (297.2 cm)
Overall Height (w/ WindAssist)	144" (365.76 cm)
Outside Diameter	12.75" (32.38 cm)
Housing Material, steel	.25" (.635 cm)
Access Opening (w x h)	8.5" x 12" (21.59 x 30.48 cm)
Overall Weight	445 lbs. (201.8 kg)
Power Requirements	solar powered (standard) WindAssist generator (optional)

**UNIT FINISH COLORS**

Standard Painted Finish	British Racing Green, Cardinal Red, Dark Bronze, Gloss White, Gloss Black, Medium Bronze, Midnight Blue, Safety Blue, Safety Red, Safety Yellow
Custom Painted Finish	Custom colors from Pantone® color chart or sample are available as a special order

**GRAPHICS TEXT (WORDING)**

Standard	Assistance, Courtesy, Emergency, Police, Security
Custom	Custom text graphics are available as a special order

**GRAPHICS TEXT COLORS**

Standard (reflective decal)	Black, Blue, Green, Red, White, Yellow
Custom	Custom colors from Pantone color chart or sample are available as a special order

**SOLAR POWER**

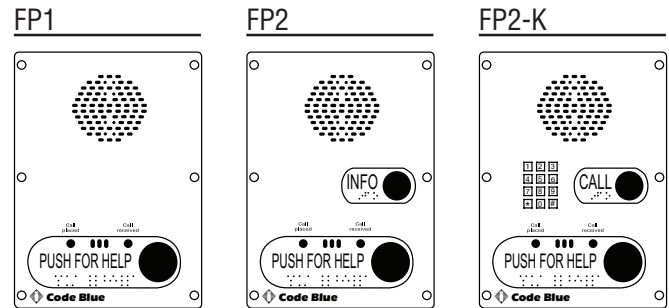
Provides continuous power to the Code Blue unit from a solar array without additional power requirements. Allows installation where power lines are not available or cost prohibitive. Requires daytime solar energy.

**IP WIRELESS OPTION**

As more users desire ubiquitous connectivity, Code Blue's IP Wireless offering exploits built-in VLAN (Virtual Local Area Networks) capable of maximizing your investment, including various integration scenarios with existing equipment.

**WINDASSIST™ POWER GENERATOR OPTION**

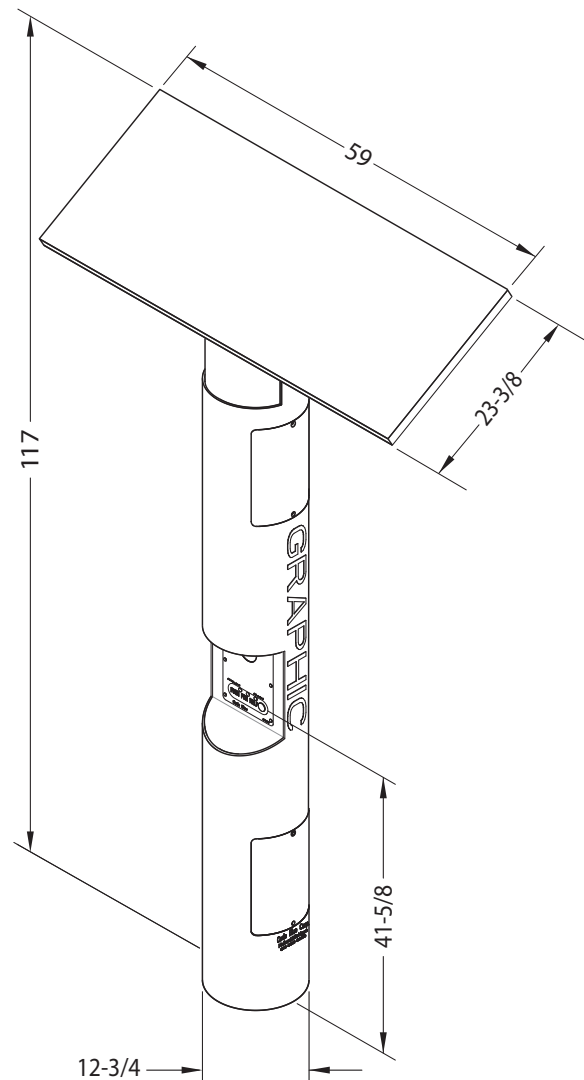
Turbine functioning option for supplemental power provides additional battery charging capacity when intermittent solar availability is a concern. Requires an open area for installation.

**FACEPLATE OPTIONS**


Standard faceplate assembly with single red **PUSH FOR HELP** button

Optional faceplate assembly with additional black **INFO** button

Optional faceplate assembly with additional **CALL** button and keypad



- Mounting hardware and template for unit is shipped in advanced for foundation work.
- Specifications subject to change without notice or obligation on the part of the manufacturer.