



WALL/POLE MOUNT – INTERACTIVE VOICE COMMUNICATION UNIT

The **CB 4-d** offers the same features as the CB 4-s, but is built around a larger platform to accommodate a second opening for additional optional features. The all-steel housing and Code Blue's speakerphone system meets the need for a highly vandal resistant unit while providing a cost effective and reliable solution.

The second opening provides space for factory options including a directory or specific user options such as CCTV, among other security devices. The optional remote mount combination LED beacon/strobe kit allows the user flexibility throughout the job.

The exclusive analog InterAct™ and VoIP speakerphones are designed for maximum reliability, vandal resistance, auxiliary functions, mass notification control, and fault monitoring and reporting capability; leading the market in system programming flexibility.

The **CB 4-d** is a good choice for dorm and building entrances, hallways and transit centers.

STANDARD FEATURES

- ▶ Analog and VoIP speakerphone options
- ▶ ToolVox® Communication Manager compatible with Blue Alert®, EMS and UPD software integration
- ▶ 2 Auxiliary inputs/3 Auxiliary outputs (3 NO or 3 NC)
- ▶ Second opening with blank stainless steel plate
- ▶ 24v LED low consumption area light
- ▶ 24v AC power
- ▶ Voice Identifier
- ▶ ADA compliant
- ▶ Wall mounting kit
- ▶ Vandal resistant hardware
- ▶ Phone line surge suppressor
- ▶ Ultra-weather resistant finish

OPTIONAL FEATURES

- ▶ Two-button speakerphone w/keypad
- ▶ Two-button speakerphone
- ▶ Custom colors & graphics
- ▶ Pole mounting hardware kit
- ▶ Step-down power transformer
- ▶ Remote mounted combination LED beacon/strobe kit
- ▶ Second opening options: card reader, directory, camera or custom plate design

UNIT SPECIFICATIONS

Overall Height	25.75" (65.4 cm)
Width	10.25" (26.0 cm)
Depth	6" (15.2 cm)
Housing Material, steel	.125" (0.3 cm)
Overall Weight	40 lbs. (18.2 kg)
Standard Power Requirements	24v AC @ 5.5w max

UNIT FINISH COLORS

Standard Painted Finish	British Racing Green, Cardinal Red, Dark Bronze, Gloss White, Gloss Black, Medium Bronze, Midnight Blue, Safety Blue, Safety Red, Safety Yellow
Custom Painted Finish	Custom colors from Pantone® color chart or sample are available as a special order

GRAPHICS TEXT (WORDING)

Standard	Assistance, Courtesy, Emergency, Police, Security
Custom	Custom text graphics are available as a special order

GRAPHICS TEXT COLORS

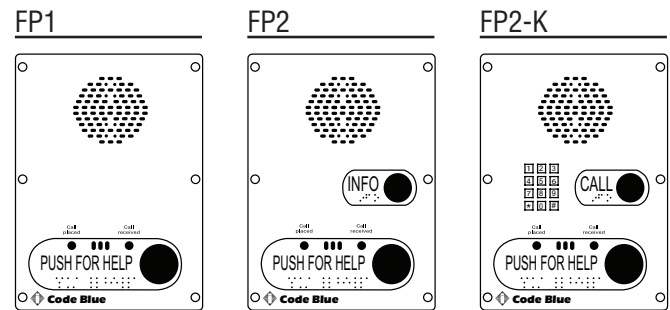
Standard (reflective decal)	Black, Blue, Green, Red, White, Yellow
Custom	Custom colors from Pantone color chart or sample are available as a special order

REMOTE MOUNT COMBINATION BEACON/STROBE

Provides a highly visual constant blue beacon and a powerful activated strobe for rapid recognition in the unit location. The remote mount feature allows placement for maximum effectiveness.

SECOND DEVICE OPTION

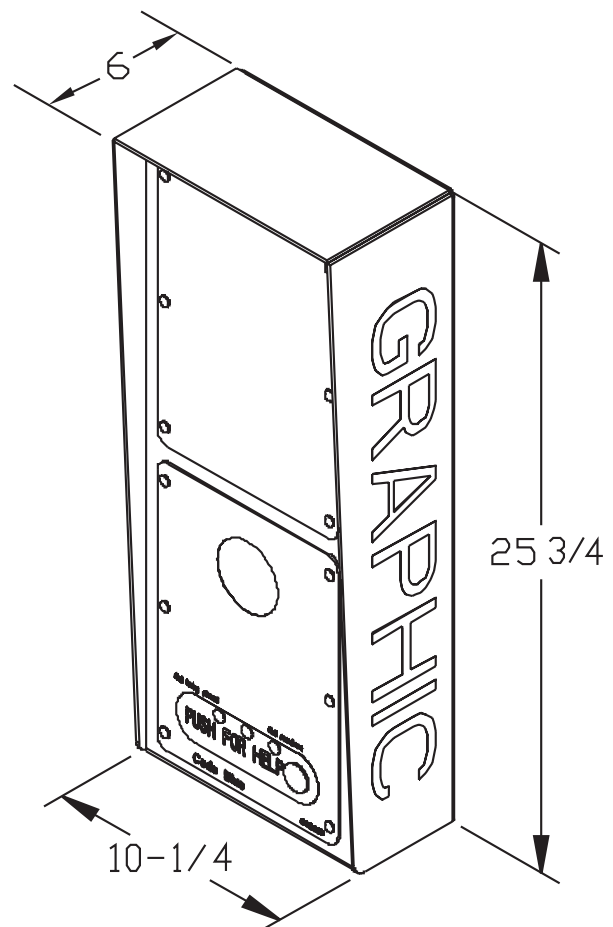
Provides a location directly above the phone that can accept a factory supplied directory plate or a user specified custom plate for access control, CCTV or other security device.

FACEPLATE OPTIONS


Standard faceplate assembly with single red **PUSH FOR HELP** button

Optional faceplate assembly with additional black **INFO** button

Optional faceplate assembly with additional **CALL** button and keypad



- Mounting hardware and template for unit is shipped in advanced for foundation work.
- Specifications subject to change without notice or obligation on the part of the manufacturer.