



## WALL/POLE MOUNT – INTERACTIVE VOICE COMMUNICATION UNIT

The **CB 4-s** is our basic communication unit designed for wall or pole installations in interior and exterior applications. The all-steel housing and Code Blue's speakerphone system meets the need for a highly vandal resistant unit while providing a cost effective and reliable solution.

The exclusive analog InterAct™ and VoIP speakerphones are designed for maximum reliability, auxiliary functions, mass notification control, and fault monitoring and reporting capability; leading the market in system programming flexibility. The optional remote mount combination LED beacon/strobe kit allows the user flexibility throughout the job.

The **CB 4-s** is a good choice for dorm and building entrances, hallways and transit centers.

### STANDARD FEATURES

- ▶ Analog and VoIP speakerphone options
- ▶ ToolVox® Communication Manager compatible with Blue Alert®, EMS and UPD software integration
- ▶ 2 Auxiliary inputs/3 Auxiliary outputs (3 NO or 3 NC)
- ▶ Stainless steel faceplate
- ▶ Wall mounting kit
- ▶ 24v AC power
- ▶ Voice Identifier
- ▶ ADA compliant
- ▶ Vandal resistant hardware
- ▶ Phone line surge suppressor
- ▶ Ultra-weather resistant finish

### OPTIONAL FEATURES

- ▶ Two-button speakerphone w/keypad
- ▶ Two-button speakerphone
- ▶ Custom colors & graphics
- ▶ Pole mounting hardware kit
- ▶ Remote mounted combination LED beacon/strobe kit

**UNIT SPECIFICATIONS**

Overall Height	13.375" (34.0 cm)
Width	10.25" (26.0 cm)
Depth	6" (15.2 cm)
Housing Material, steel	.125" (0.3 cm)
Overall Weight	30 lbs. (13.6 kg)
Standard Power Requirements	24v AC @ 5.5w max

**UNIT FINISH COLORS**

Standard Painted Finish	British Racing Green, Cardinal Red, Dark Bronze, Gloss White, Gloss Black, Medium Bronze, Midnight Blue, Safety Blue, Safety Red, Safety Yellow
Custom Painted Finish	Custom colors from Pantone® color chart or sample are available as a special order

**GRAPHICS TEXT (WORDING)**

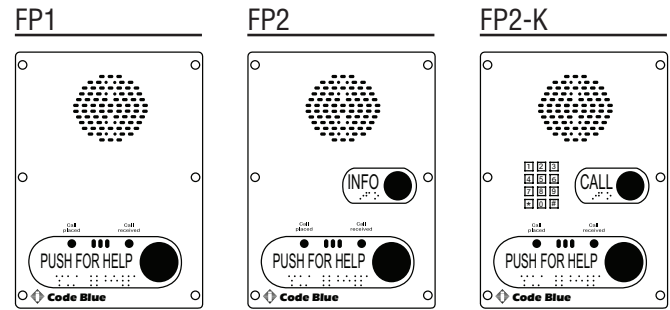
Standard	Assistance, Courtesy, Emergency, Police, Security
Custom	Custom text graphics are available as a special order

**GRAPHICS TEXT COLORS**

Standard (reflective decal)	Black, Blue, Green, Red, White, Yellow
Custom	Custom colors from Pantone color chart or sample are available as a special order

**REMOTE MOUNT COMBINATION BEACON/STROBE**

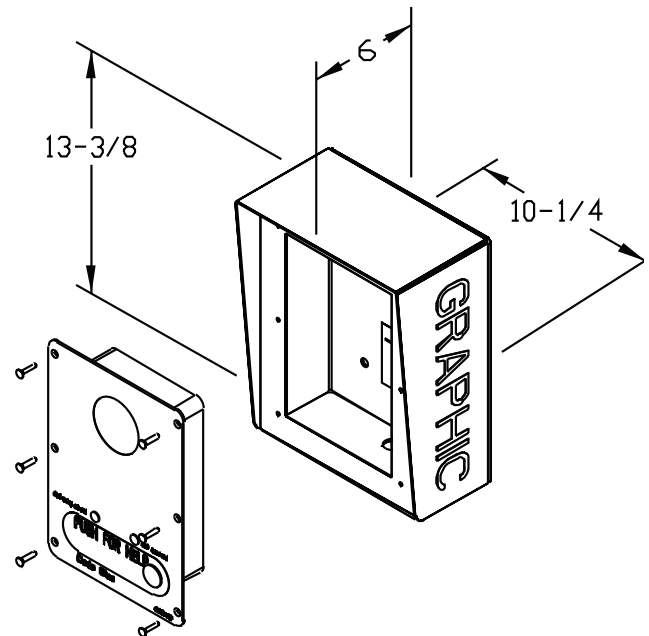
Provides a highly visual constant blue beacon and a powerful activated strobe for rapid recognition in the unit location. The remote mount feature allows placement for maximum effectiveness.

**FACEPLATE OPTIONS**


Standard faceplate assembly with single red **PUSH FOR HELP** button

Optional faceplate assembly with additional black **INFO** button

Optional faceplate assembly with additional **CALL** button and keypad



- Mounting hardware and template for unit is shipped in advanced for foundation work.
- Specifications subject to change without notice or obligation on the part of the manufacturer.