



## PEDESTAL – INTERACTIVE VOICE COMMUNICATION UNIT

The **CB 5-p** and **CB 5-s** are Code Blue's standard heavy-duty freestanding pedestal units for parking deck or exterior applications. The combination beacon/strobe positioned on top of the unit provides high visibility throughout the entire 360-degree area.

The exclusive analog InterAct™ and VoIP speakerphones are designed for maximum reliability, vandal resistance, auxiliary functions, mass notification control, and fault monitoring and reporting capability; leading the market in system programming flexibility.

The **CB 5-s** is an excellent choice for walkways, parking lots, college and commercial campus areas, open environments and anywhere a freestanding pedestal unit is required.

The **CB 5-p** is a shorter 7' version for mounting in parking decks where lower height is required.

### STANDARD FEATURES

- ▶ Analog and VoIP speakerphone options
- ▶ ToolVox® Communication Manager compatible with Blue Alert®, EMS and UPD software integration
- ▶ 2 Auxiliary inputs/3 Auxiliary outputs (3 NO or 3 NC)
- ▶ High output combo LED beacon/strobe
- ▶ LED lit stainless steel faceplate
- ▶ 24v AC power
- ▶ Voice Identifier
- ▶ ADA compliant
- ▶ UV resistant lenses
- ▶ Vandal resistant hardware
- ▶ Phone line surge suppressor
- ▶ Ultra-weather resistant finish
- ▶ Internal foundation anchor kit

### OPTIONAL FEATURES

- ▶ Two-button speakerphone w/keypad
- ▶ Two-button speakerphone
- ▶ Deck mounting kit
- ▶ Custom colors & graphics
- ▶ Step-down power transformer
- ▶ Reduced height option for parking garage installations

**UNIT SPECIFICATIONS**

Overall Height (CB 5-p) (CB 5-s)	84" (213.36 cm) 113.5" (288.29 cm)
Outside Diameter	8.75" (22.23 cm)
Housing Material, steel	.25" (.635 cm)
Access Opening (w x h)	4.75" x 8" (12.1 x 20.32 cm)
Overall Weight	260 lbs. (118 kg)
Standard Power Requirements	24v AC @ 15w

**UNIT FINISH COLORS**

Standard Painted Finish	British Racing Green, Cardinal Red, Dark Bronze, Gloss White, Gloss Black, Medium Bronze, Midnight Blue, Safety Blue, Safety Red, Safety Yellow
Custom Painted Finish	Custom colors from Pantone® color chart or sample are available as a special order

**GRAPHICS TEXT (WORDING)**

Standard	Assistance, Courtesy, Emergency, Police, Security
Custom	Custom text graphics are available as a special order

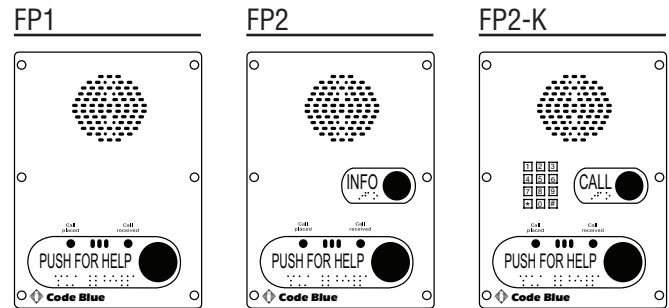
**GRAPHICS TEXT COLORS**

Standard (reflective decal)	Black, Blue, Green, Red, White, Yellow
Custom	Custom colors from Pantone color chart or sample are available as a special order

**REDUCED HEIGHT & DECK MOUNT OPTIONS**

The shorter 7' CB 5-p version is designed for mounting on parking decks where lower height is required and includes a vandal resistant wire cage enclosing the strobe.

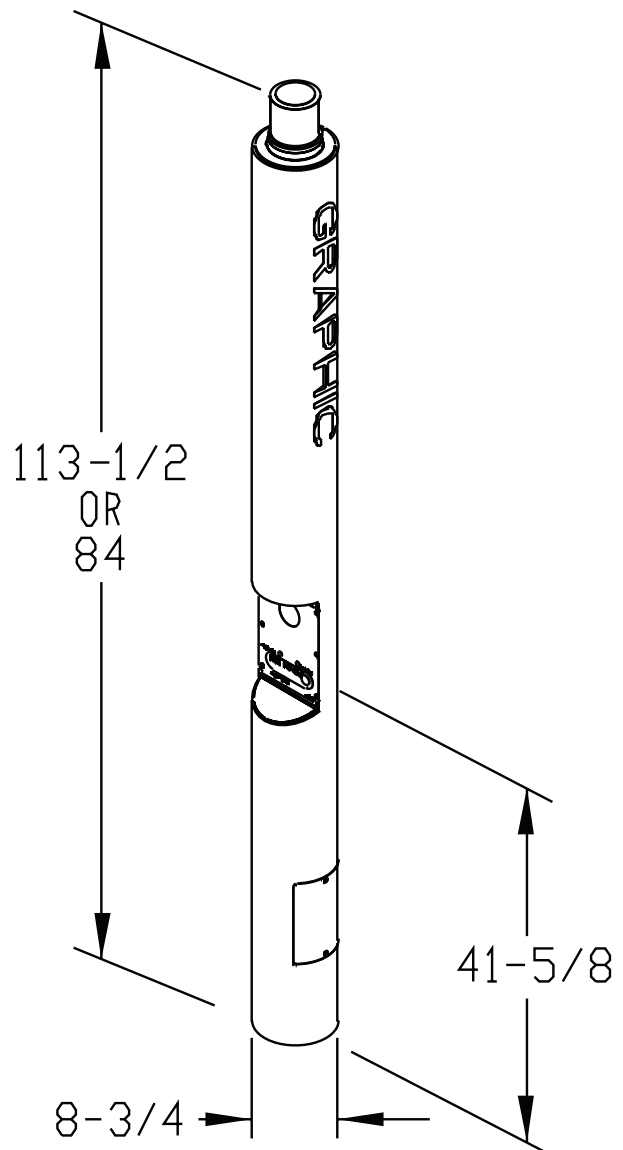
The optional Deck Mount kit provides components to install the CB 5-p on the floor or deck within the parking structure.

**FACEPLATE OPTIONS**


Standard faceplate assembly with single red **PUSH FOR HELP** button

Optional faceplate assembly with additional black **INFO** button

Optional faceplate assembly with additional **CALL** button and keypad



- Mounting hardware and template for unit is shipped in advanced for foundation work.
- Specifications subject to change without notice or obligation on the part of the manufacturer.