

WALL – INTERACTIVE VOICE COMMUNICATION UNIT



The **CB 6** is our basic communication for wall installations in interior and sheltered exterior applications. The rugged high-density polyethylene housing and Code Blue's speakerphone system meets the need for a vandal resistant unit while providing a cost effective and reliable solution.

The exclusive analog InterAct™ and VoIP speakerphones are designed for maximum reliability, vandal resistance, auxiliary functions, mass notification control, and fault monitoring and reporting capability; leading the market in system programming flexibility.

The optional remote mount combination LED blue beacon/strobe kit allows the user flexibility throughout the job.

The **CB 6** is a good choice for hallways, transit centers, parking decks and other sheltered structures.

STANDARD FEATURES

- ▶ Analog and VoIP speakerphone options
- ▶ ToolVox® Communication Manager compatible with Blue Alert®, EMS and UPD software integration
- ▶ 2 Auxiliary inputs/3 Auxiliary outputs (3 NO or 3 NC)
- ▶ High-density polyethylene molded enclosure
- ▶ 12-24v AC and DC power
- ▶ ADA compliant
- ▶ Wall mounting kit
- ▶ Safety yellow housing
- ▶ Stainless steel faceplate
- ▶ Vandal resistant hardware
- ▶ Black emergency graphics
- ▶ Phone line surge suppressor

OPTIONAL FEATURES

- ▶ Two-button speakerphone w/keypad
- ▶ Two-button speakerphone
- ▶ Remote mounted high output combo LED beacon/strobe kit

UNIT SPECIFICATIONS

Overall Height	15.1875" (38.58 cm)
Width	10.9375" (27.78 cm)
Depth	3.75" (9.53 cm)
Housing Material	high-density polyethylene
Overall Weight	10 lbs. (50 kg)
Standard Power Requirements	24v AC @ 5.5w max

UNIT FINISH COLORS

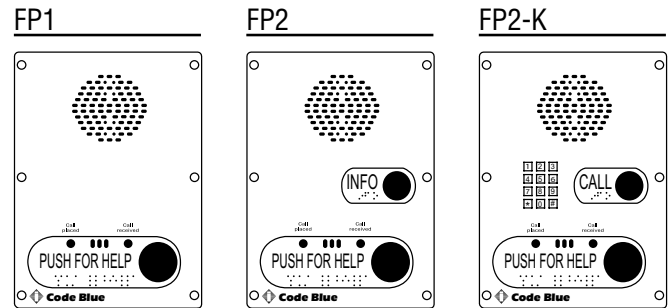
Standard Finish (molded)	Safety Yellow
Custom Painted Finish	not applicable

GRAPHICS TEXT (WORDING)

Standard	Emergency
Custom	not applicable

REMOTE MOUNTED COMBINATION BEACON/STROBE

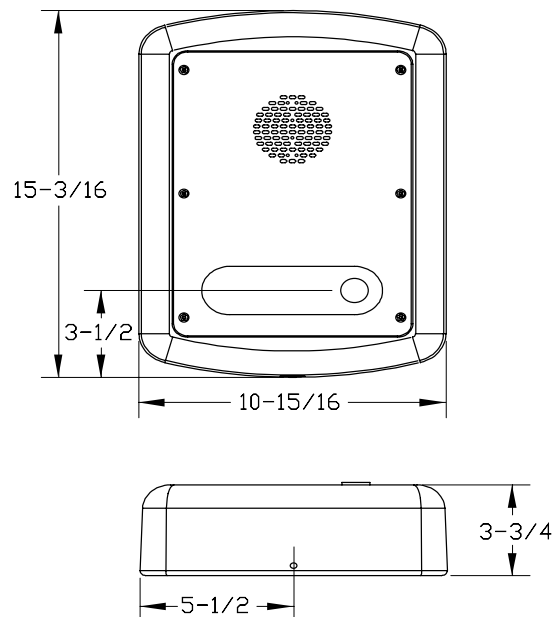
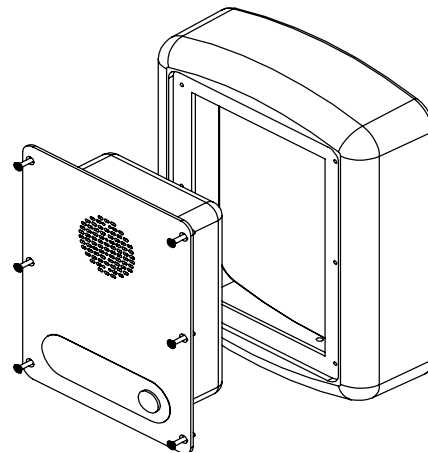
Provides a highly visual constant LED blue beacon and a powerful activated strobe for rapid recognition in the unit location. The remote mount feature allows placement for maximum effectiveness.

FACEPLATE OPTIONS


Standard faceplate assembly with single red **PUSH FOR HELP** button

Optional faceplate assembly with additional black **INFO** button

Optional faceplate assembly with additional **CALL** button and keypad



- Mounting hardware and template for unit is shipped in advanced for foundation work.
- Specifications subject to change without notice or obligation on the part of the manufacturer.